

Features

- High Rejection
- Low Insertion Loss
- Excellent Temperature Stability
- Miniaturization
- Customization available upon request



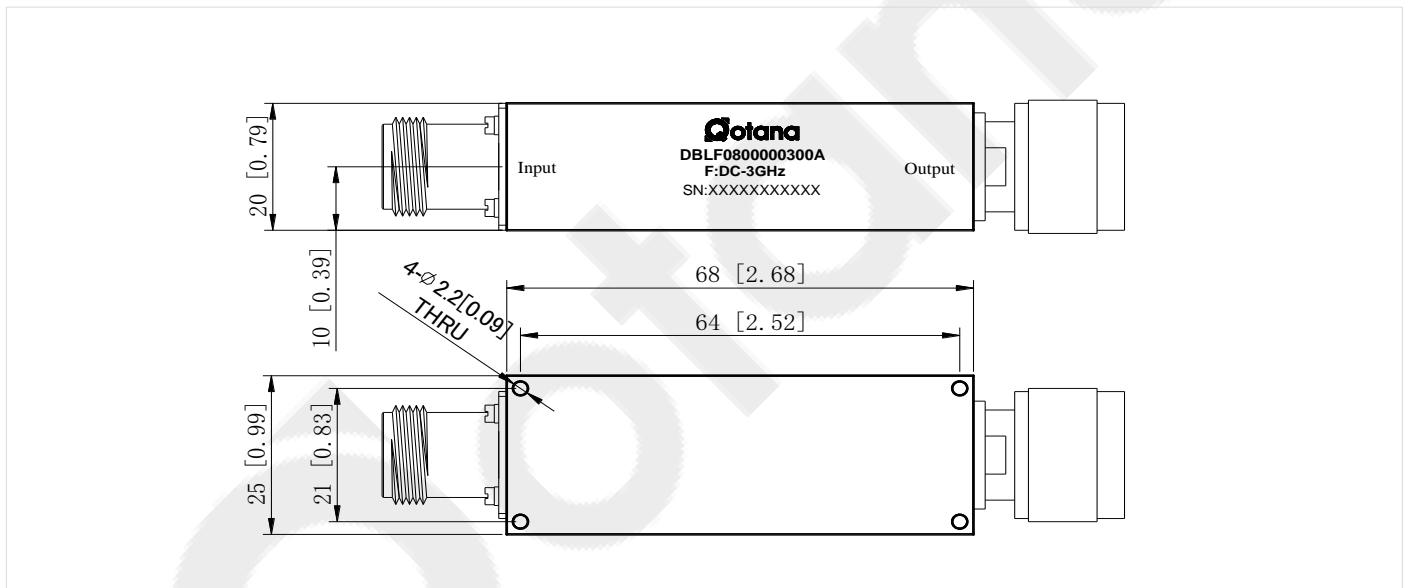
Parameters		Min.	Typ.	Max.	Units
Frequency Range		DC		3	GHz
Insertion Loss			0.3	1.0	dB
Pass Band Ripple			0.3		dB
VSWR			1.5	1.8	: 1
Rejection	@6-18 GHz	60	65		dB
Power Rating	Average			100	W
	Peak			1	KW
Impedance		50			Ohms
Weight		/			Ounces
Input / Output Connectors		N-Female/N-Male			
Material		Aluminum			
Finishing		Gray Paint			

**Environmental Specifications**

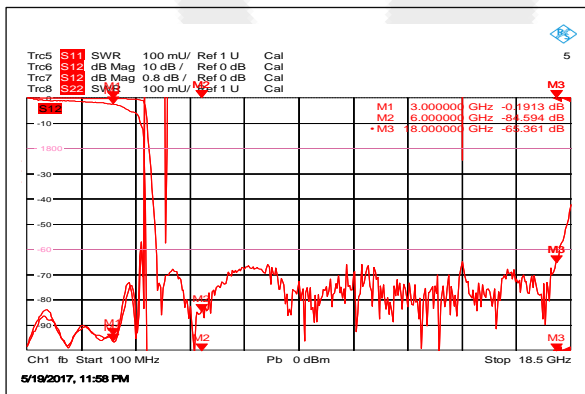
Operational Temperature	-45°C~+85°C
Storage Temperature	-55°C~+125°C
Altitude	30,000 ft. (Epoxy Sealed Controlled environment)
(Optional)	60,000 ft. 1.0psi min (Hermetically Sealed Un-controlled environment)
Vibration	25g RMS (15 degrees 2KHz) endurance, 1 hour per axis
Humidity	100% RH at 35c, 95%RH at 40°c
Shock	20G for 11msec half sine wave,3 axis both directions

**Outline Drawing:**

All Dimensions in mm (inches)



**Loss VS. Ripple VS. Rejection VS.VSWR**



QOTANA TECHNOLOGIES and its affiliates reserve the right to make changes to the product(s) or information contained herein without notice. Visit [www.qotana.com](http://www.qotana.com) for additional data sheets and product information.