

**Features**

- High power handling capability up to 20W
- Wide band operation
- High isolation within operational band
- Low Insertion loss
- Stable performance over temperature
- LMDS multi-carrier operations
- High peak to average handling capability
- All specifications can be modified upon request



Parameter	Min.	Typ.	Max.	Units
Frequency Range		45-50		GHz
Insertion Loss		0.8	1.3	dB
Isolation (Note 1)	12	15		dB
VSWR		1.5	1.8	:1
Forward Power			20	W
Reverse Power			2	W
Rotation	Clockwise			
Input / Output Connectors	2.4mm-Female			
Finish	Nickel Plated			
Case Material	Aluminum alloy			
Weight		3.2 Max.		ounces
Impedance		50		$\Omega$

**Note1 :**

Units which have a narrower frequency bandwidth can achieve higher isolation & lower insertion loss

Bandwidth (5~10) % x Center Frequency (Isolation >15dB)

Bandwidth (20~30) % x Center Frequency (Isolation >14dB)

Bandwidth (40~60) % x Center Frequency (Isolation >12dB)

Ask manufacture for detail

**Environmental Specifications**

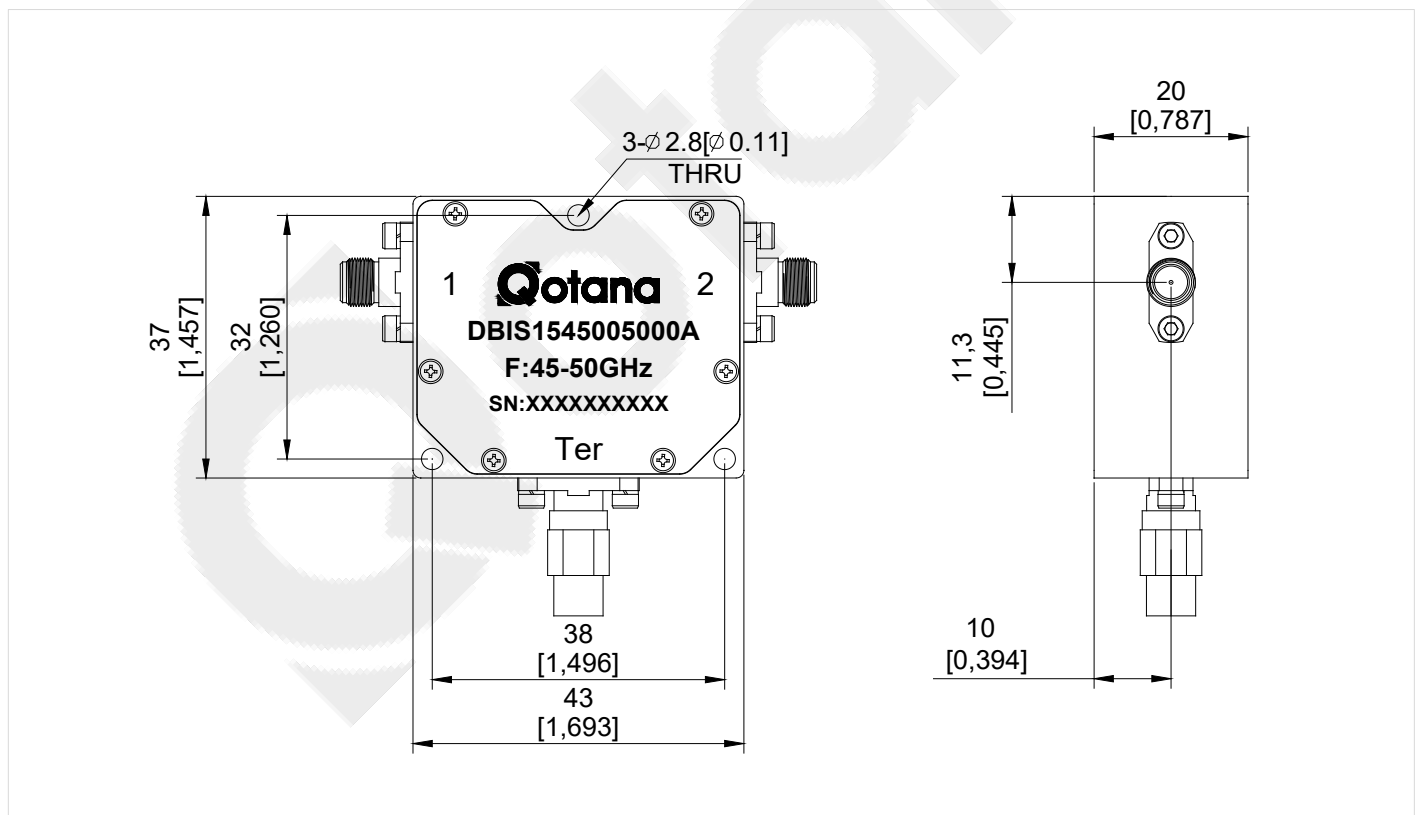
Operational Temperature	-20°C~+70°C
Storage Temperature	-40°C~+85°C
Altitude	30,000 ft. (Epoxy Sealed Controlled environment)
	60,000 ft. 1.0psi min (Hermetically Sealed Un-controlled environment) (Optional)
Vibration	25gRMS (15 degrees 2KHz) endurance, 1 hour per axis
Humidity	100% RH at 35°C, 95%RH at 40°C
Shock	20G for 11msec half sine wave,3 axis both directions

**Outline Drawing:**

All Dimensions in mm(inches)

Outline Tolerances ±0.5(0.02)

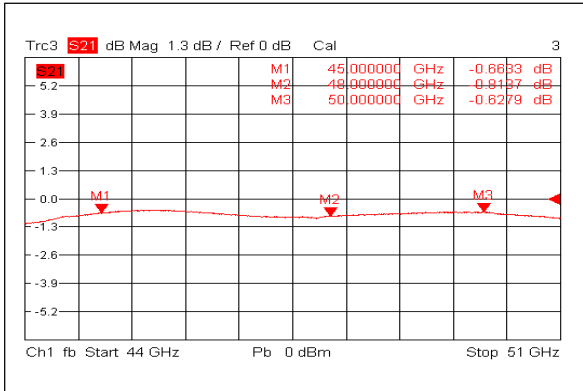
Mounting Holes Tolerances ±0.2(0.008)



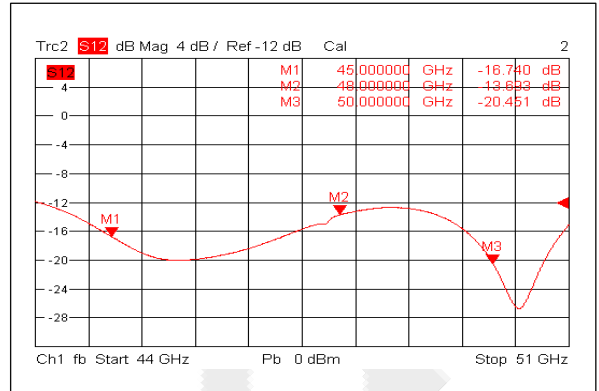
**Note:**

Due to the isolators and circulators belong to magnetic components, please far away from the magnetic matters by over 2 inches when you install or place.

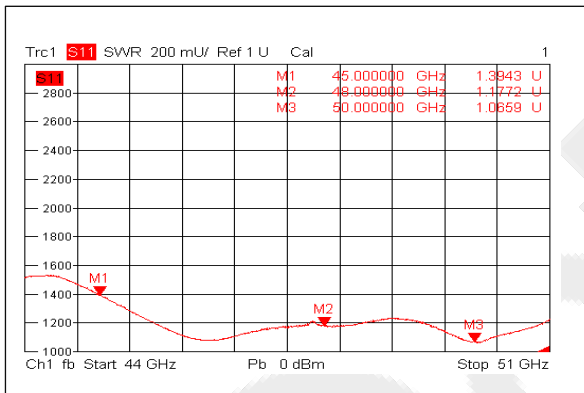
Insertion Loss



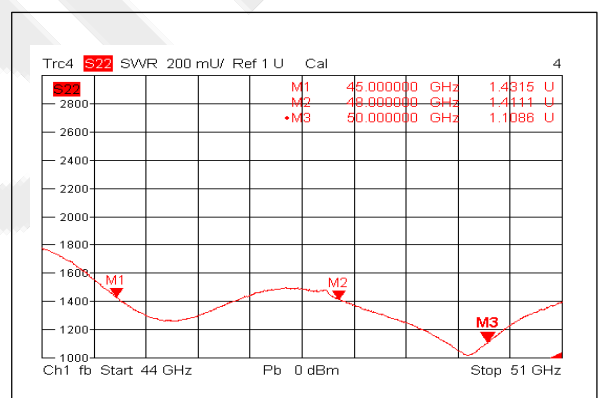
Isolation



VSWR 1



VSWR 2



QOTANA TECHNOLOGIES and its affiliates reserve the right to make changes to the product(s) or information contained herein without notice. Visit [www.qotana.com](http://www.qotana.com) for additional data sheets and product information.