

## Features

- High power handling up to 10W
- Wide band operation
- High isolation within operational band
- Low Insertion Loss
- Stable performance over temperature
- LMDS multi-carrier operation
- High peak to average handling capability
- All specifications can be modified upon request



Parameter	Min.	Typ.	Max.	Units
Frequency Range	26.5-40			GHz
Insertion Loss		1.3	1.6	dB
Isolation (Note 1)	14	15		dB
VSWR		1.5	1.6	:1
Forward Power (CW)			10	W
Reverse Power (CW)			1	W
Rotation	Clockwise (Standard) Counter Clockwise (upon request)			
Input / Output Connectors	2.92mm-Female / 2.92mm-Male			
Finishing	Nickel Plated			
Case Material	Copper			
Weight		1.0 Max.		Ounces
Impedance		50		$\Omega$

### Note 1 :

Units which have a narrower frequency bandwidth can achieve higher isolation & lower insertion loss

Bandwidth (5 ~10) % x Center Frequency (Isolation >18dB)

Bandwidth (20~30) % x Center Frequency (Isolation >17dB)

Bandwidth (40~60) % x Center Frequency (Isolation >15dB)

Ask manufacture for detail

**Environmental Specifications**

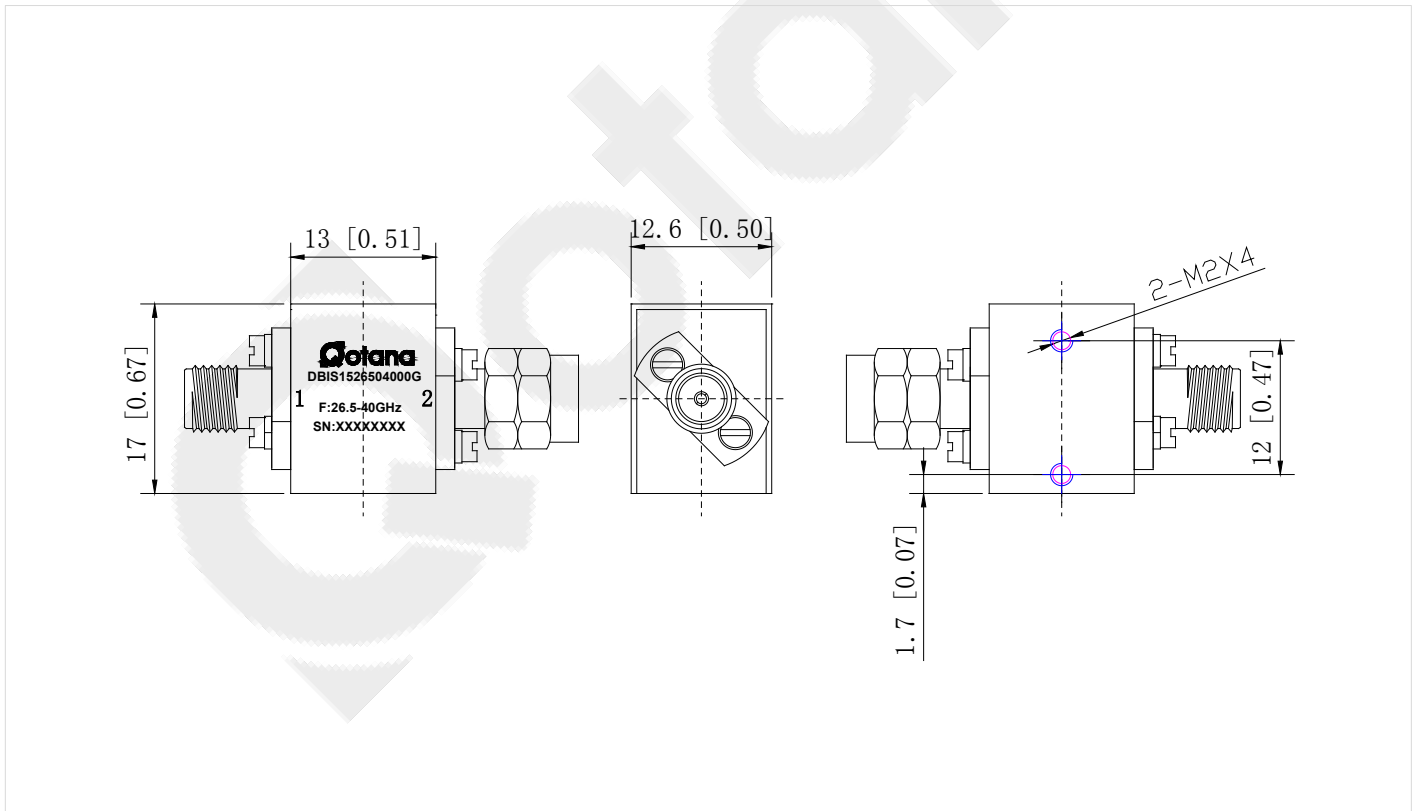
Operational Temperature	-40°C~+85°C
Storage Temperature	-50°C~+105°C
Altitude	30,000 ft. (Epoxy Sealed Controlled environment)
	60,000 ft. 1.0psi min (Hermetically Sealed Un-controlled environment) (Optional)
Vibration	25gRMS (15 degrees 2KHz) endurance, 1 hour per axis
Humidity	100% RH at 35°C, 95%RH at 40°C
Shock	20G for 11msec half sine wave, 3 axis both directions

**Outline Drawing:**

All Dimensions in mm (inches)

Outline Tolerances ±0.5 (0.02)

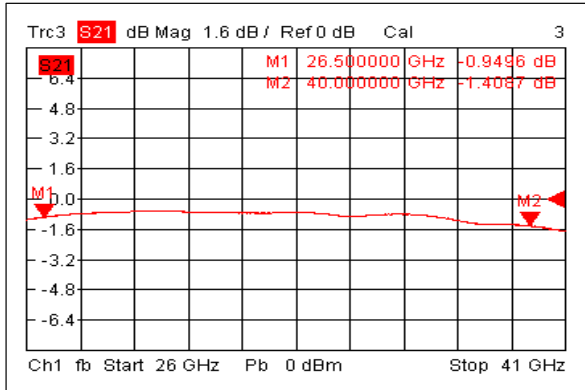
Mounting Hole Tolerances ±0.2 (0.008)



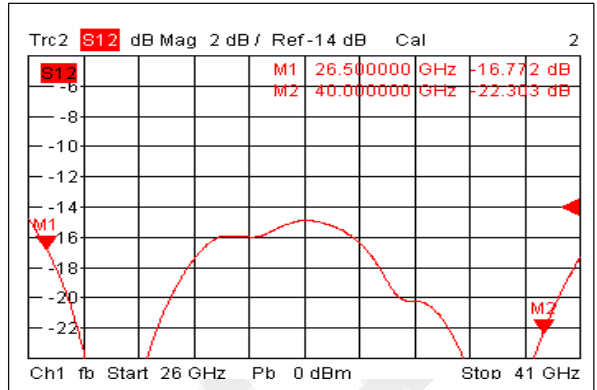
**Note:**

Due to the isolators and circulators belong to magnetic components, please far away from the magnetic matters by over 2 inches when you install or place.

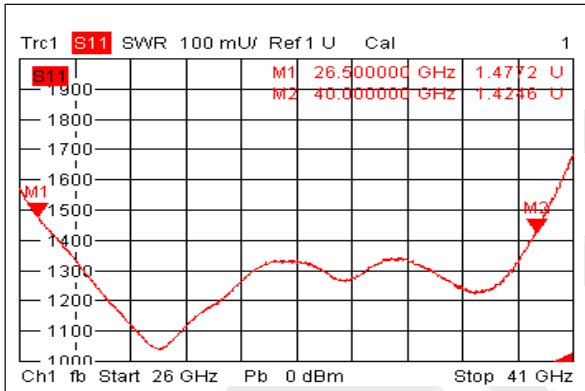
Insertion Loss



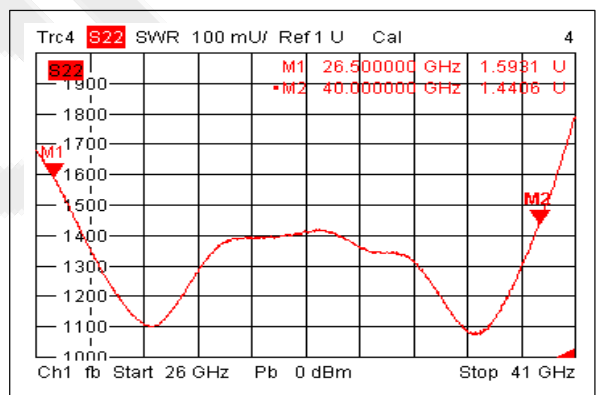
Isolation



VSWR 1



VSWR 2



QOTANA TECHNOLOGIES and its affiliates reserve the right to make changes to the product(s) or information contained herein without notice. Visit [www.qotana.com](http://www.qotana.com) for additional data sheets and product information.