

Features

- Wide band operation
- High isolation within operational band
- Low Insertion loss
- Low temperature coefficient ferrite material offer stable performance over temperature
- High peak to average handle capability
- All specifications can be modified upon request



| Parameter | Min. | Typ. | Max. | Units |
|-------------------------|--|------|-------|--------|
| Frequency Range | 18-26.5 | | | GHz |
| Insertion Loss | -40°C | 25°C | +80°C | °C |
| | 1.70 | 1.50 | 1.70 | dB |
| Isolation (Note 1) | -40°C | 25°C | +80°C | °C |
| | 14 | 15 | 14 | dB |
| VSWR | -40°C | 25°C | +80°C | °C |
| | 1.70 | 1.50 | 1.70 | :1 |
| Forward Power (CW) | | | 10 | W |
| Reverse Power (CW) | | | 1 | W |
| Rotation | Clockwise (Standard) Counter Clockwise (upon request) | | | |
| Input /Output Connector | 2.92mm-Male/2.92mm-Female | | | |
| Finishing | Nickel Plated | | | |
| Case Material | Copper | | | |
| Weight | 2.11 | | | ounces |
| Impedance | 50 | | | Ω |

Note1 :

Units which have a narrower frequency bandwidth can achieve higher isolation & lower insertion loss

Bandwidth (5 ~10) % x Center Frequency (Isolation >23dB)

Bandwidth (20~30) % x Center Frequency (Isolation >21dB)

Bandwidth (40~60) % x Center Frequency (Isolation >20dB)

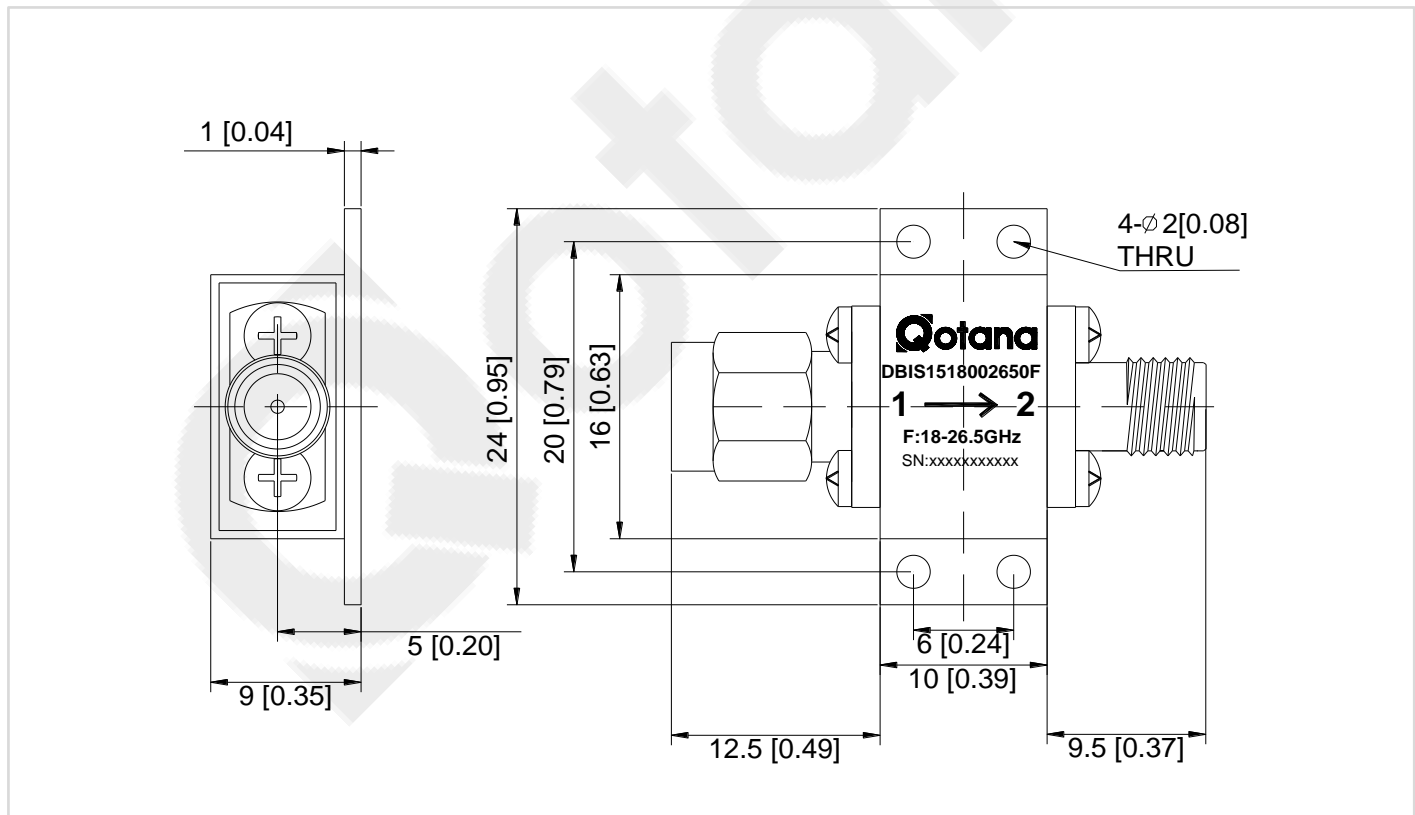
Ask manufacture for detail

Environmental Specifications

| | |
|-------------------------|--|
| Operational Temperature | -40°C~+80°C |
| Storage Temperature | -45°C~+85°C |
| Altitude | 30,000 ft. (Epoxy Sealed Controlled environment) |
| | 60,000 ft. 1.0psi min (Hermetically Sealed Un-controlled environment) (Optional) |
| Vibration | 25gRMS (15 degrees 2KHz) endurance, 1 hour per axis |
| Humidity | 100% RH at 35°C, 95%RH at 40°C |
| Shock | 20G for 11msec half sine wave, 3 axis both directions |

Outline Drawing:

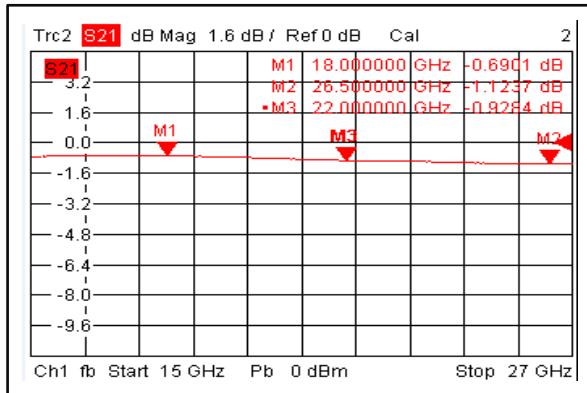
All Dimensions in mm (inches) Tolerance ±0.25(0.01)



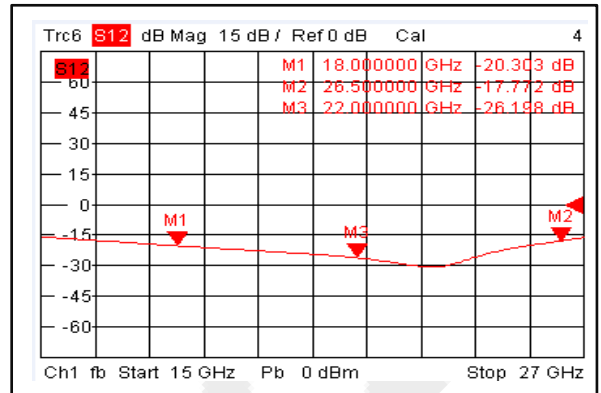
Note:

Due to the isolators and circulators belong to magnetic components, please far away from the magnetic matters by over 2 inches when you install or place.

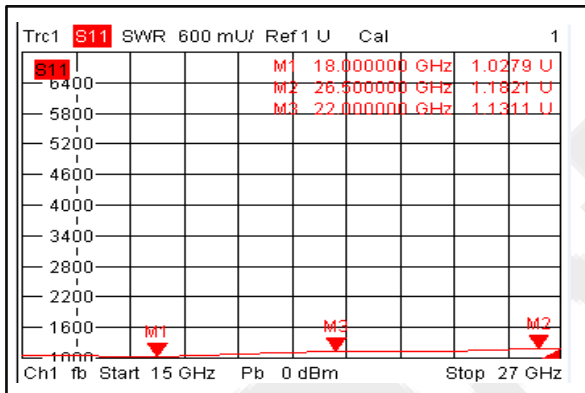
Insertion Loss



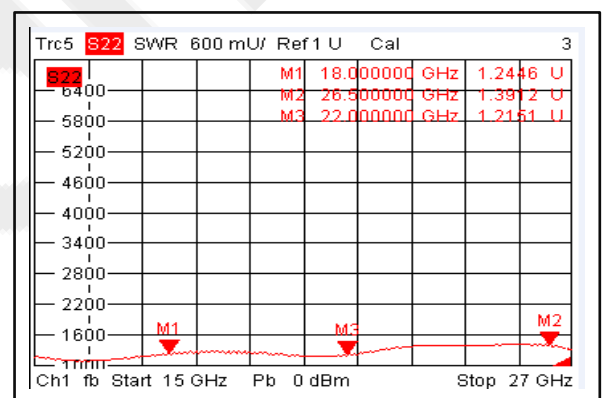
Isolation



VSWR 1



VSWR 2



QOTANA TECHNOLOGIES and its affiliates reserve the right to make changes to the product(s) or information contained herein without notice. Visit www.qotana.com for additional data sheets and product information.