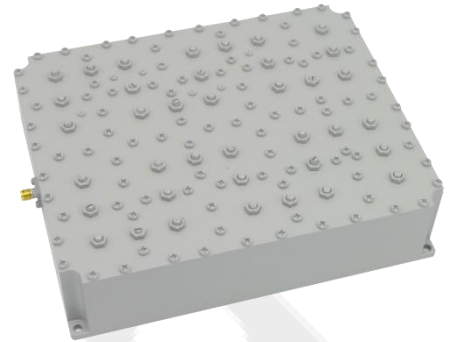


Features

- High Isolation
- Low Insertion Loss
- Excellent Temperature Stability
- Miniaturization
- Customization available upon request



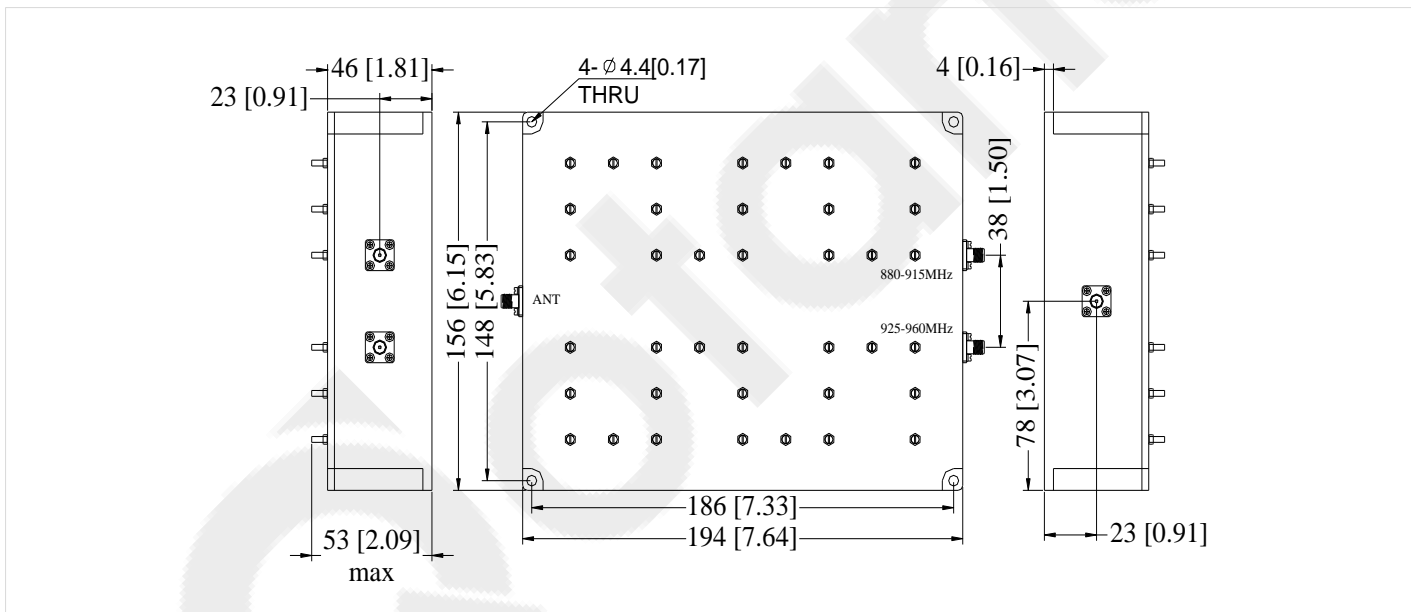
Parameters	Channels1			Channels2			Units
	Min.	Typ.	Max.	Min.	Typ.	Max.	
Frequency Range	880		915	925		960	MHz
Insertion Loss		1.0	1.5		1.0	1.5	dB
Pass Band Ripple		0.6	0.8		0.6	0.8	dB
VSWR		1.3	1.5		1.3	1.5	: 1
Port Isolation	70	75		70	75		dB
Power Handling	30						Watts
Impedance	50						Ohms
Weight	59.62						ounces
Input / Output Connectors	SMA-Female						
Material	Aluminum						
Finishing	Gray Paint						

Environmental Specifications

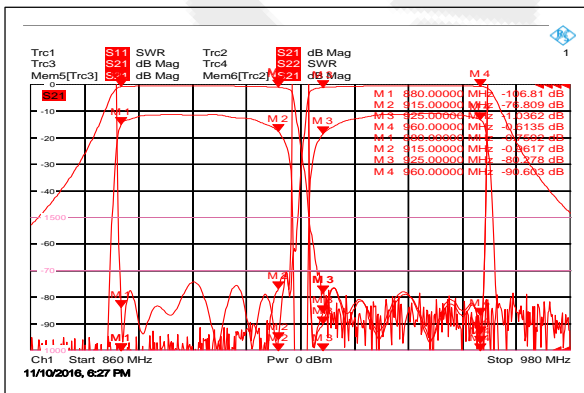
Operational Temperature	-25°C~+70°C
Storage Temperature	-55°C~+125°C
Altitude	30,000 ft. (Epoxy Sealed Controlled environment)
	60,000 ft. 1.0psi min (Hermetically Sealed Un-controlled environment) (Optional)
Vibration	25gRMS (15 degrees 2KHz) endurance, 1 hour per axis
Humidity	100% RH at 35c, 95%RH at 40°C
Shock	20G for 11msec half sine wave,3 axis both directions

Outline Drawing:

All Dimensions in mm (inches) Tolerance ±0.25(0.01)



Return Loss. Loss. Ripple. Isolation



QOTANA TECHNOLOGIES and its affiliates reserve the right to make changes to the product(s) or information contained herein without notice. Visit www.qotana.com for additional data sheets and product information.